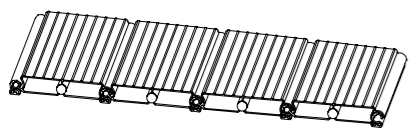
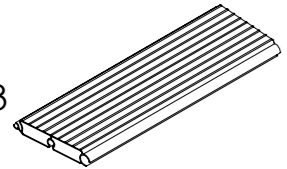
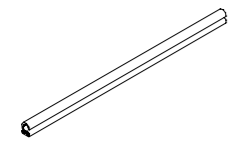
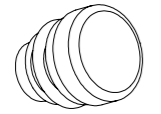

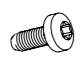
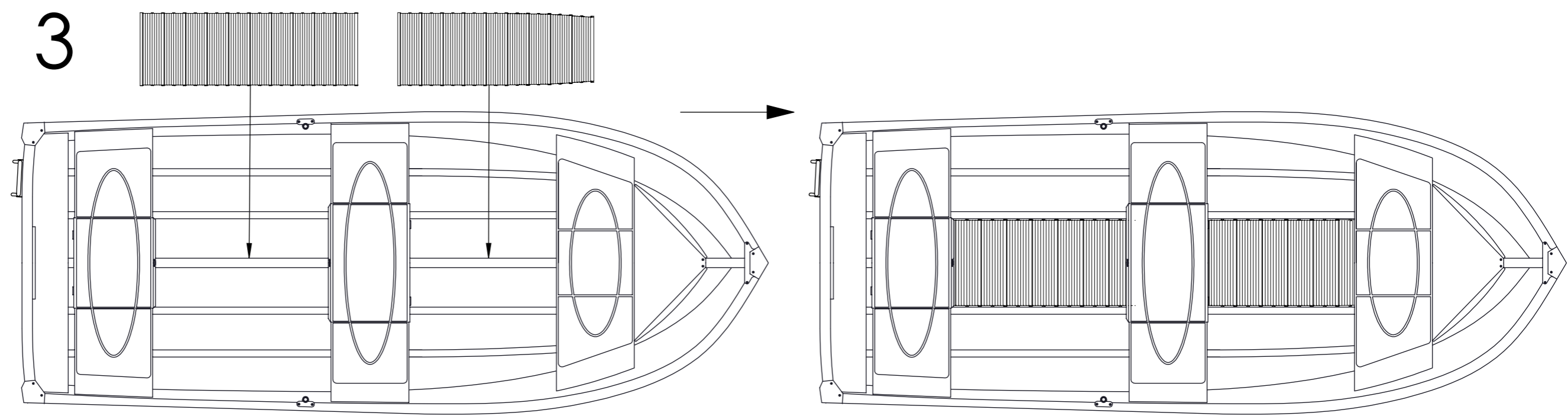
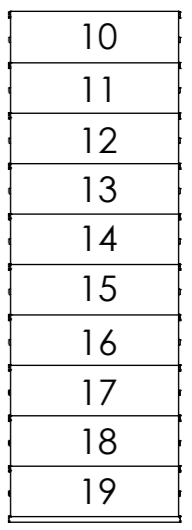
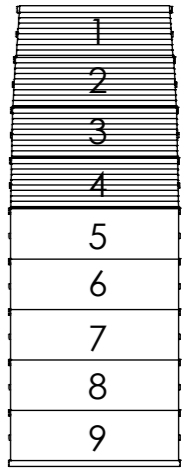
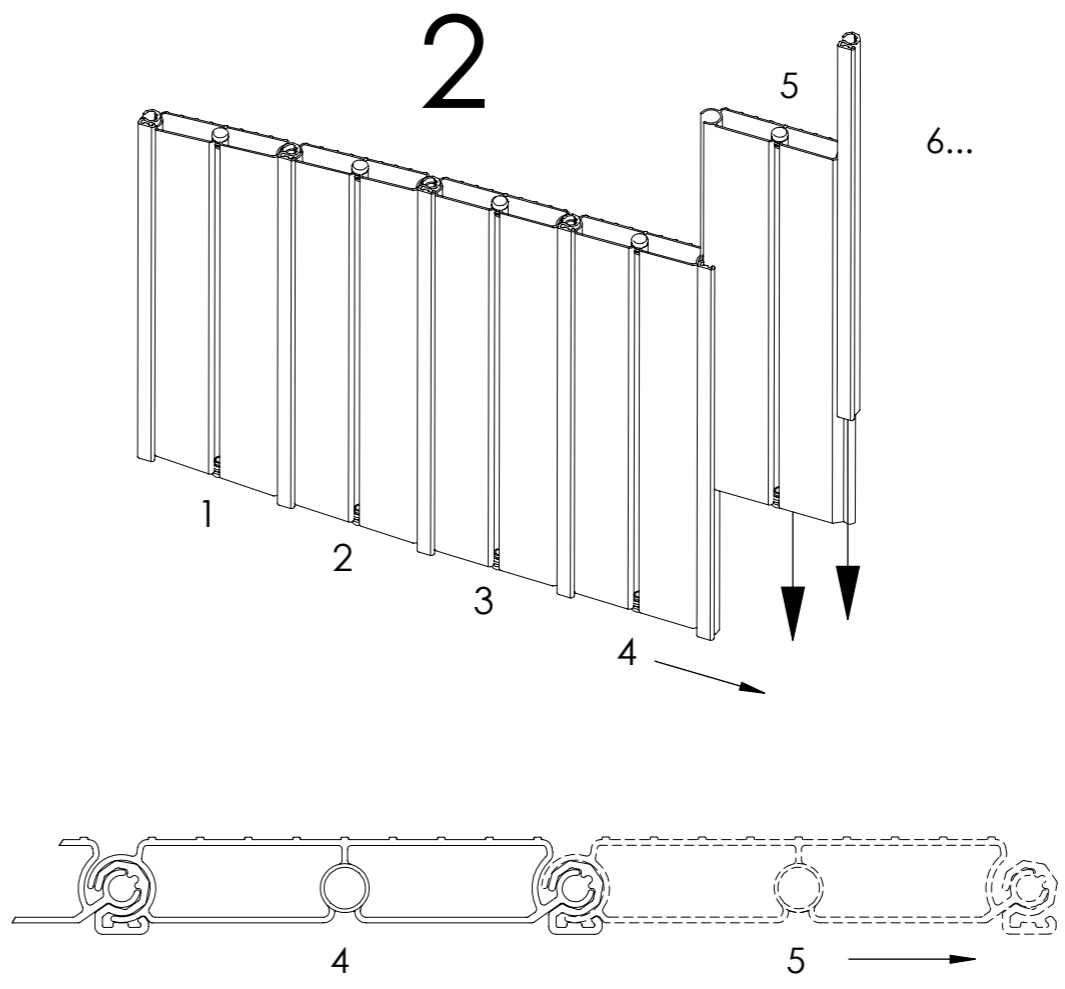
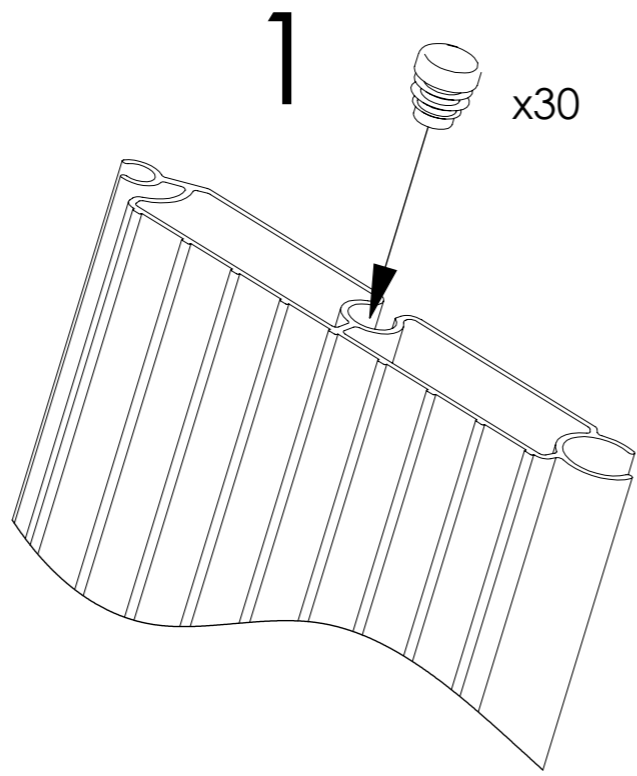


# Aluminiumdurk 400 Sportsman

Art.Nr: 610400

-  x1
- 811353  x15
- 811374  x16
- 811086  x30
- 211127  x2
- 811157  x2



4

